



## Technical Bulletin

No	710
Page	1 of 9
Date	12/06/05

### Standard Post Frame Plans / Flashing

The following pages are Fabral's standard / most common flashing and the details showing where they are used. Pages 2 and 3 show the profiles of the most common flashings used.

Pages 5 and 6 show vented and non-vented eave conditions. These pages also show why the length of a wall panel is lengthened or reduced depending on the application. For an eave with an overhang (page 5), 4" are subtracted from the bottom to move the panel away from the ground, and 3" are subtracted from the top due to the soffit, for an over reduction of 7" from the total wall height. Page 6 shows a flush eave. Here the 4" are again subtracted from the bottom, but 7" are added to the top (because of the additional truss and purlin heights) for a total of 3" added onto the wall height.

Page 7 shows how the gable end panels should be cut and installed. The "scrap" pieces from one side are to be used on the opposite side of the building.

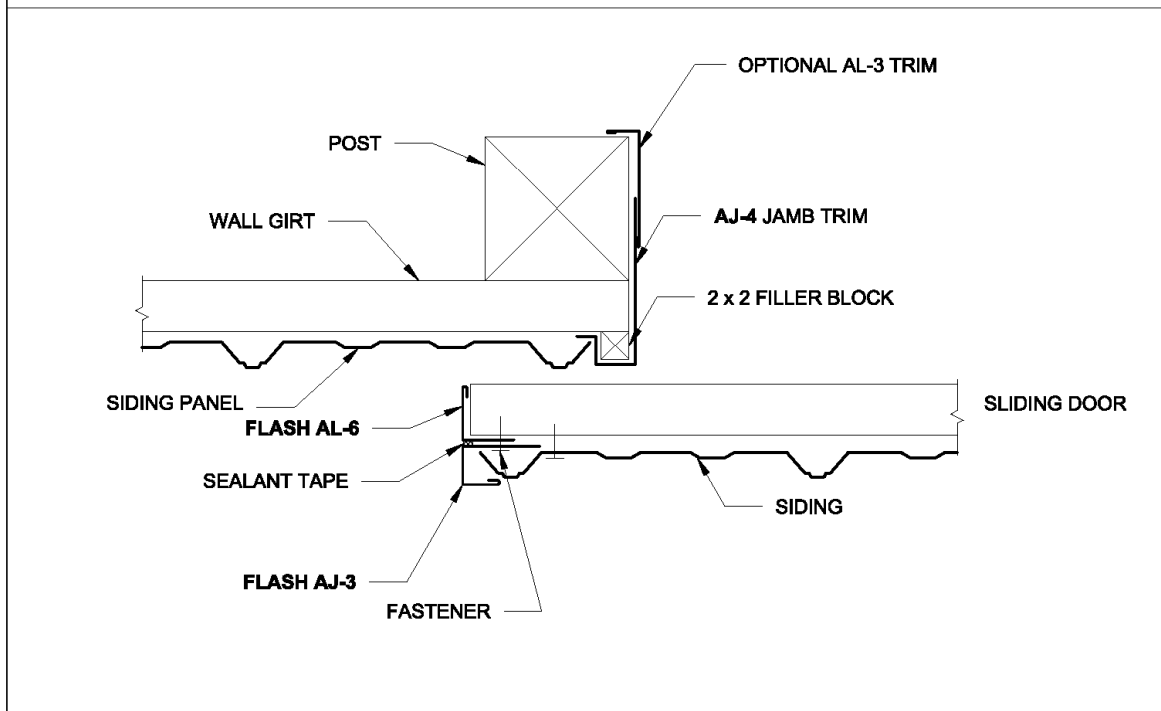
These pages are only the most common details used. For other details (i.e. valleys, hips) please see our "Standard Details for Post-Frame and Residential Structures" (F-107).

<p><b>ABG1</b> Base Guard</p>	<p><b>AC1</b> Corner</p> <p>Aluminum 10' 14'-6" in select colors</p>	<p><b>AD1</b> Drip Cap</p>
<p><b>AJ3</b> J-Channel</p> <p>For Grandrib 3, Strongrib and all other Agril panels</p>	<p><b>AJ4</b> Jamb Trim</p> <p>Steel Only (For 2x wood)</p>	<p>AL2 = 3 1/2" AL3 = 5 1/2" AL4 = 7 1/4" AL5 = 9 1/4"</p> <p><b>AL2,3,4,5</b> Angle Flashing</p>
<p><b>AL6</b> Angle Flashing</p>	<p><b>AR3</b> Ridge Cap</p>	<p><b>AR3 w/ VersaVent RX-10</b> Ridge Cap</p> <p>Grandrib 3 &amp; Alutuff net free area = 10.86 sq. in. per lineal feet of ridge (5.33 per side)</p>
<p><b>CE1</b> Denver Eave</p> <p>Steel Only Customer to specify roof pitch</p>	<p><b>PJFB</b> One Piece Door Trim</p>	<p><b>RJ9</b> F-J Trim</p>

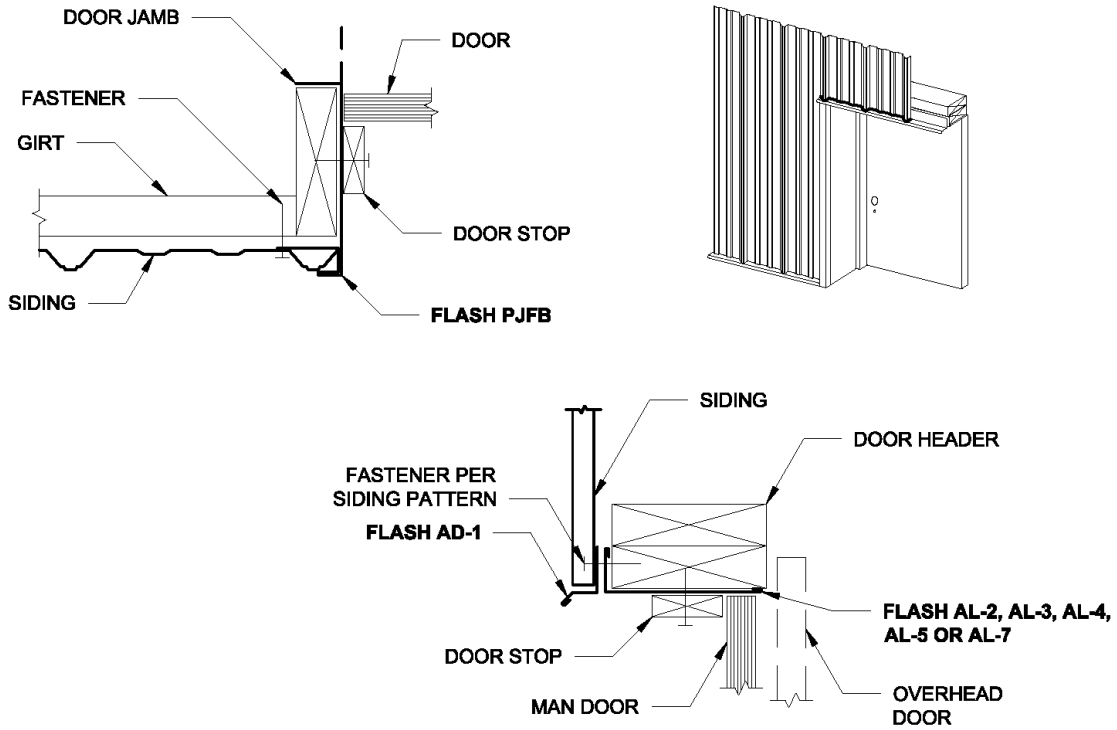
# Technical Bulletin

<p><b>AH5</b> 10'2" Length Face-Mount Track Cover for Cannonball Track with 2" Track Plank (Replaces STC-503) Matches Cannonball Trim #646225</p>	<p><b>Closures</b></p> <p><b>Inside (Eave)</b> <b>Outside (Ridge)</b></p> <p>Grandrib 3, Strongrib, 1 1/4" Corrugated, 2 1/2" Corrugated, 5V Crimp, and Fabrib available by location - check with sales service rep.</p>	<p><b>#14-10 WoodTite</b></p> <p>5/16" hex head, EPDM/metal washer, Oxyseal Long-Life coating. Plain or Painted 1", 1 1/2", 2" <b>USE AS STITCH SCREW &amp; TO FASTEN METAL TO PLYWOOD OR OSB</b></p>
<p><b>Sealant Tape</b> 3/8" x 1/4" x 40'</p>	<p><b>#9-16 WoodFast</b> 300 Series Stainless Steel Available in 1", 1 1/2", and 2" 1/4" hex head, EPDM/metal washer <b>USE WITH ALUMINUM PANELS</b> Also use 1 1/2" long stainless steel screws into ACQ.</p>	<p><b>Screws</b></p> <p><b>#9-16 WoodFast</b> 1/4" hex head, EPDM/metal washer, Oxyseal Long-Life Coating Available in 1", 1 1/2", 2", 2 1/2" and 3" - Plain or Painted For use into Dimensional Lumber</p>

## SLIDING DOOR JAMB DETAIL

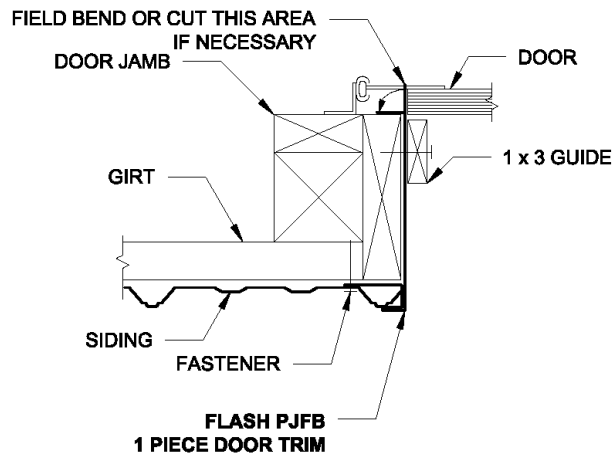


**DOOR JAMB**

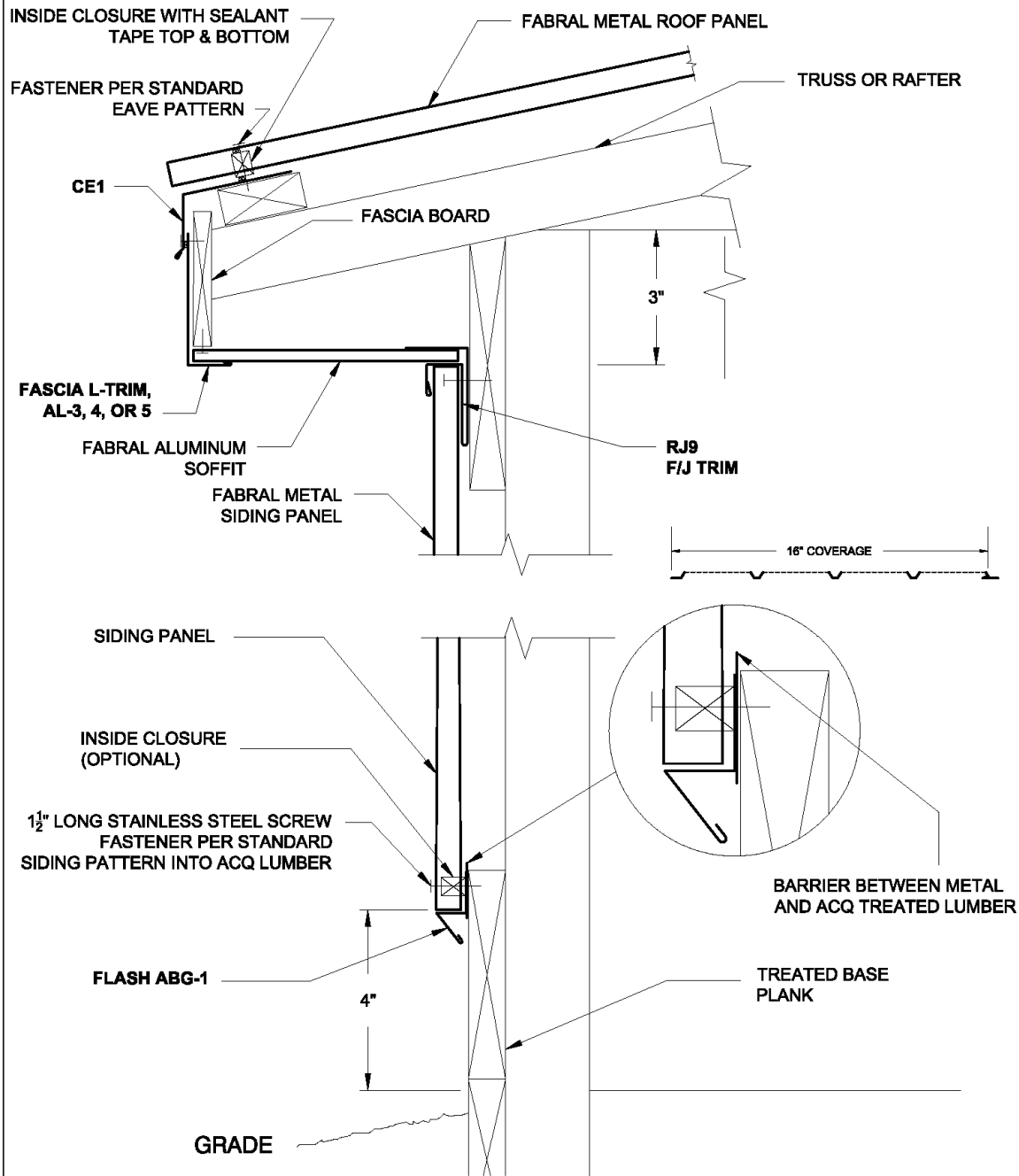


▽ **OVERHEAD DOOR JAMB**

**DOOR HEADER** △

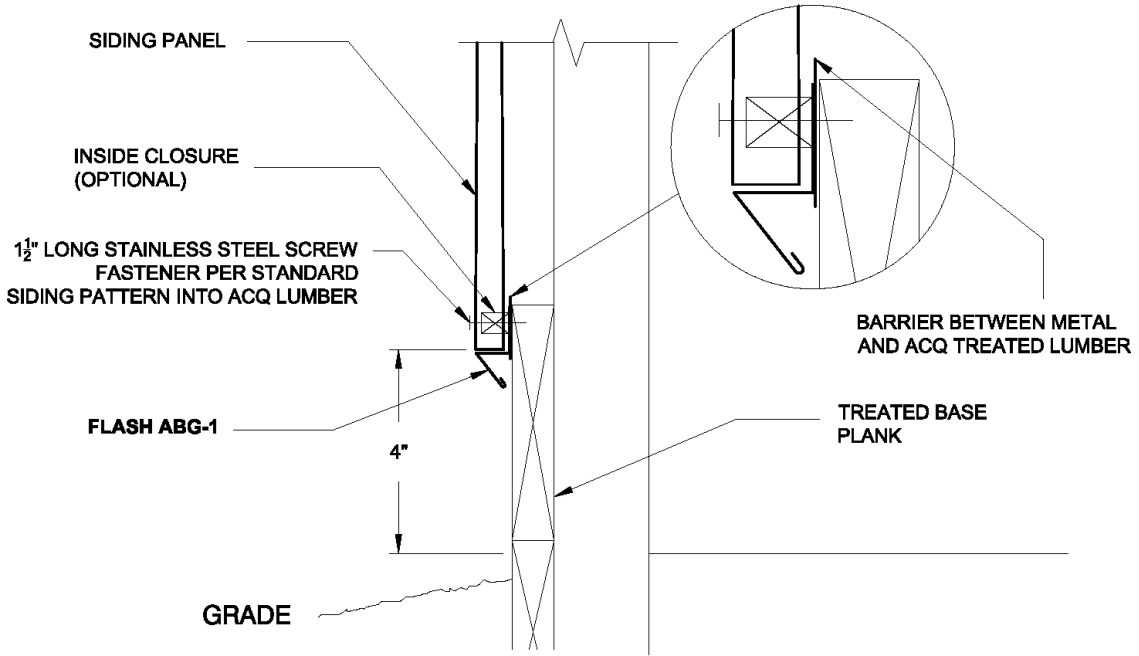
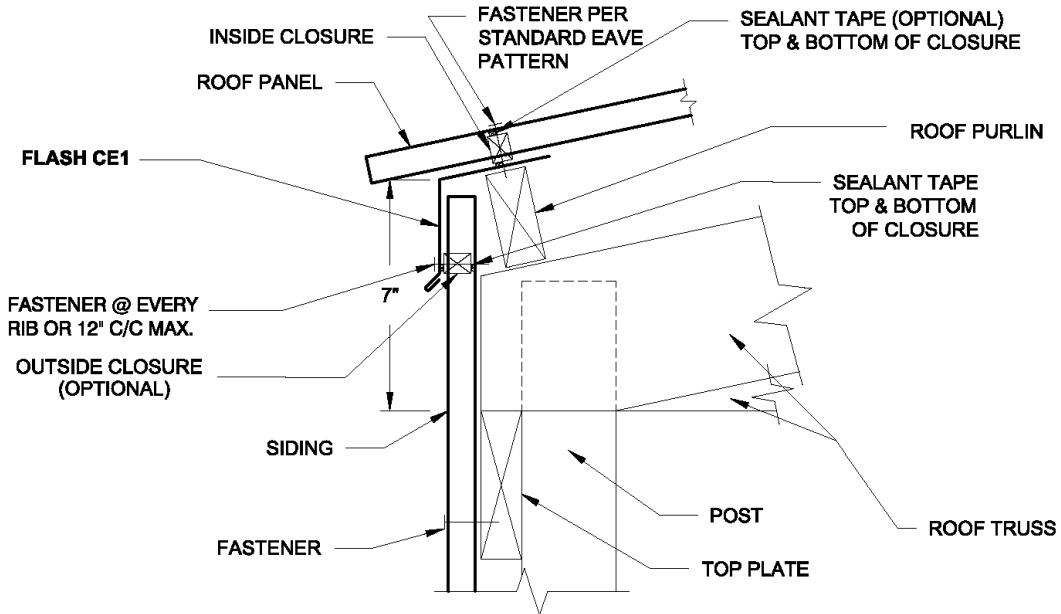


**VENTED EAVE**



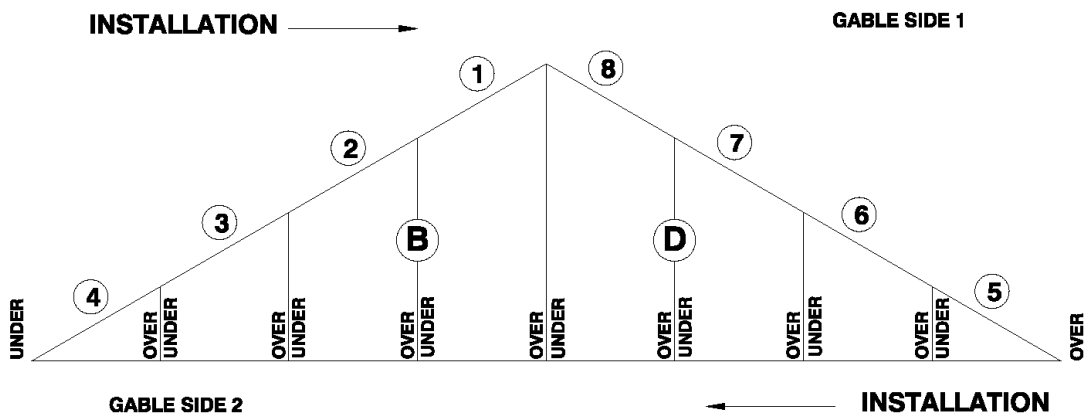
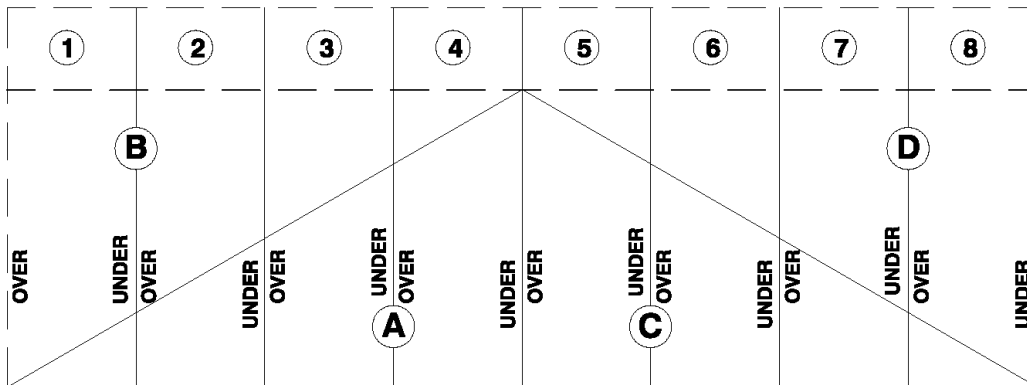
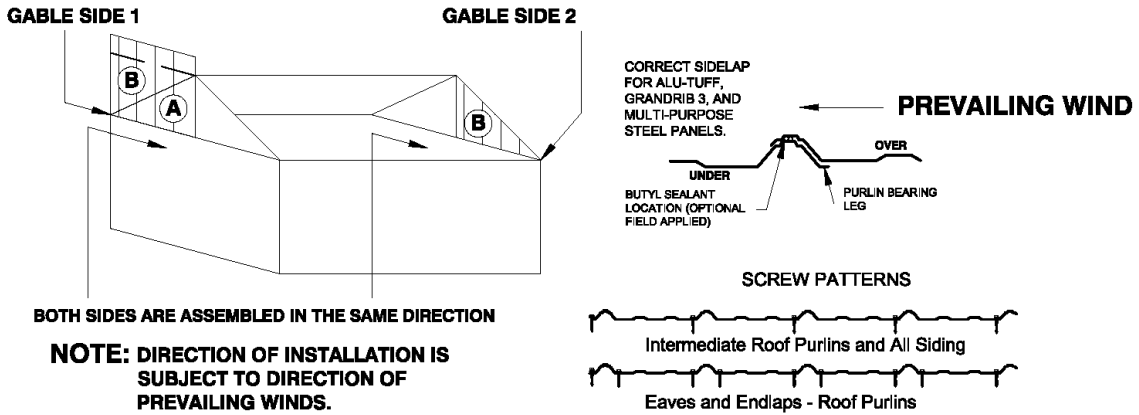
**BASE GUARD**

**EAVE**

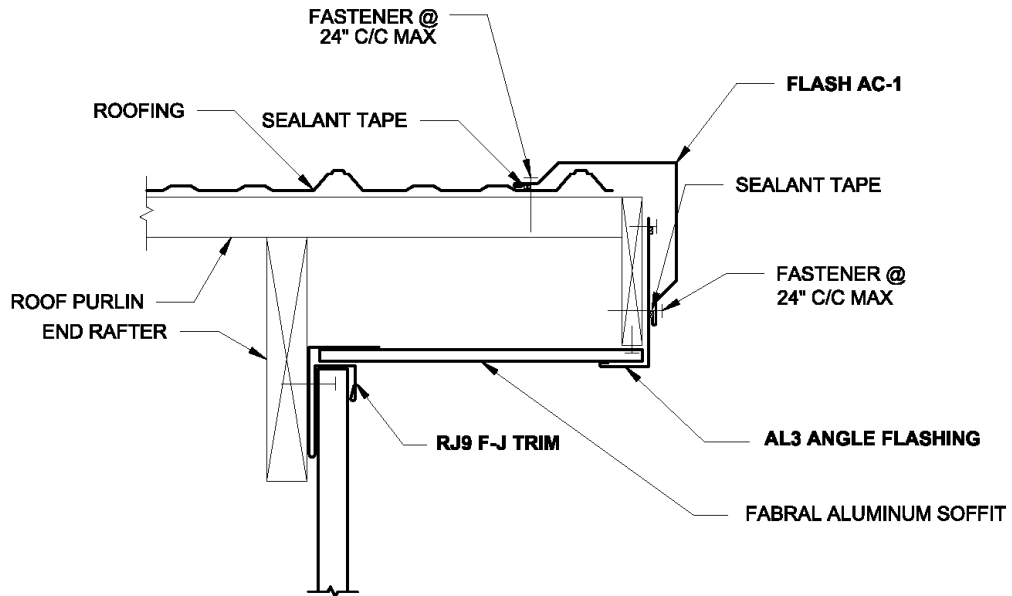


**BASE GUARD**

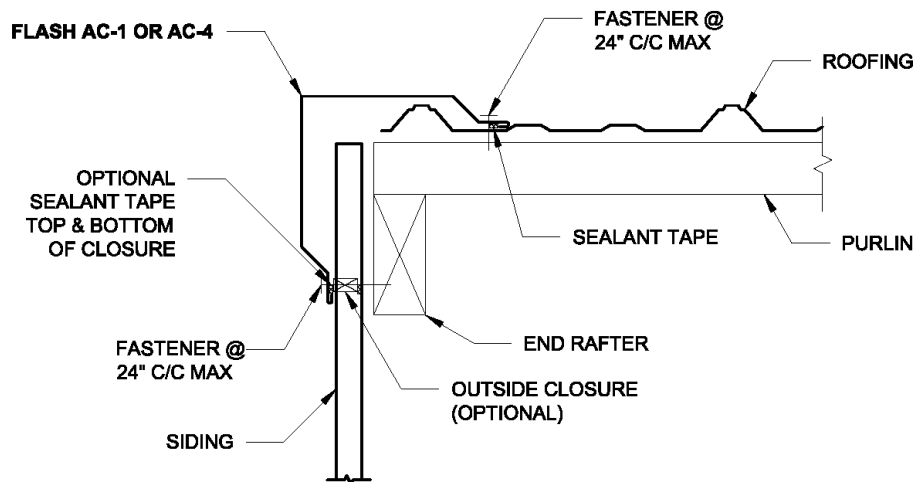
**GABLE PANEL INSTALLATION**



**GABLE OVERHANG**

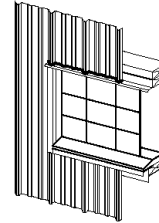
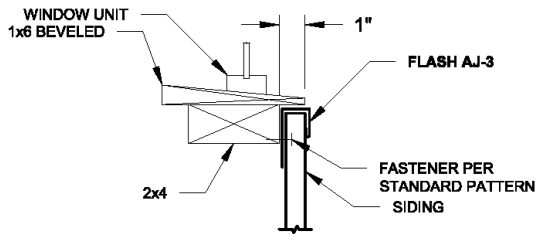


**GABLE**

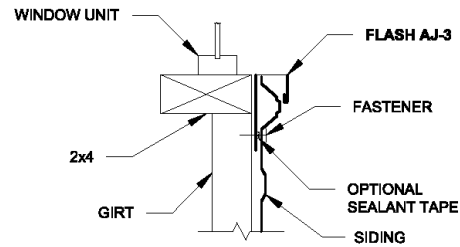


**WINDOW DETAILS**

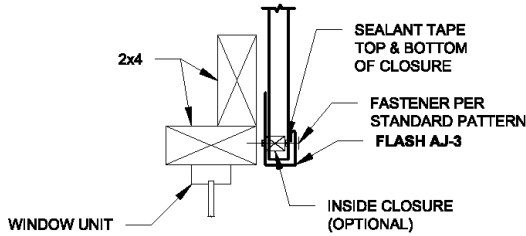
**SILL**



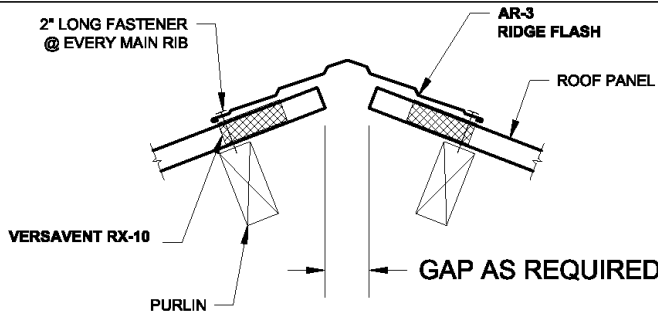
**JAMB**



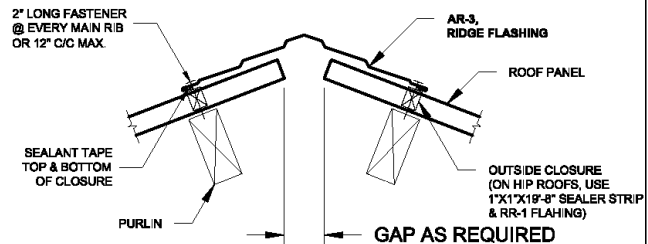
**HEAD**



**VENTED RIDGE**



**VersaVent RX-10 Factory Applied To Ridge Cap  
Vent Material and Ridge Cap Install As A Unit**



If closures are omitted, Fabral suggests using screen wire between panels and ridge gap area to keep insects and birds out of attic area. Closures and sealant are recommended for optimum weather resistance.

**RIDGE/PEAK - NON VENTED**