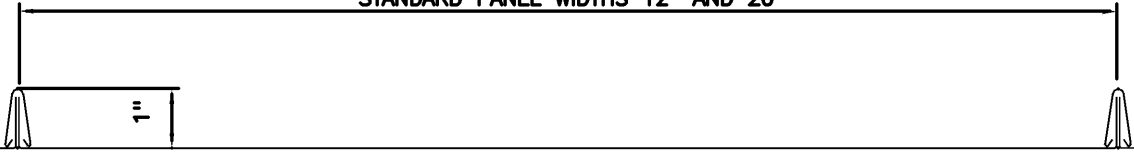
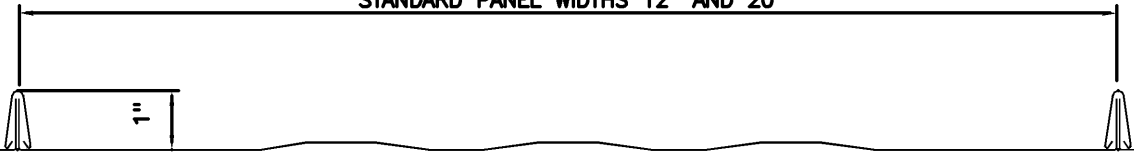


STANDARD PANEL WIDTHS 12" AND 20"



FLAT

STANDARD PANEL WIDTHS 12" AND 20"



STRIATED

AVAILABLE MATERIAL THICKNESS

STEEL - 24Ga. OR 22Ga.

ALUMINUM - .032

COPPER - 16oz OR 20oz.

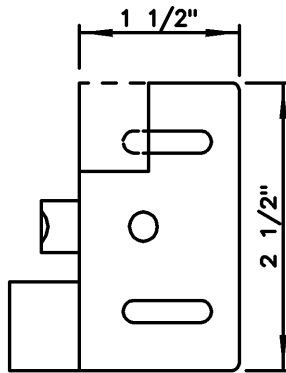


CAP-SEAM

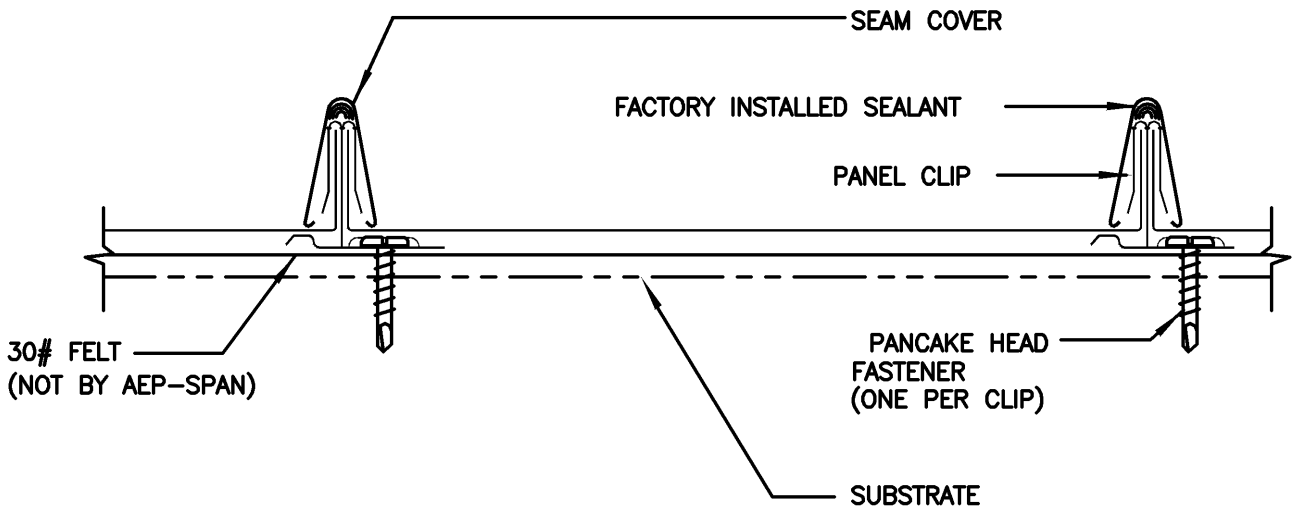


PANEL PROFILE

CS-0



PLAN OF CAP SEAM CLIP

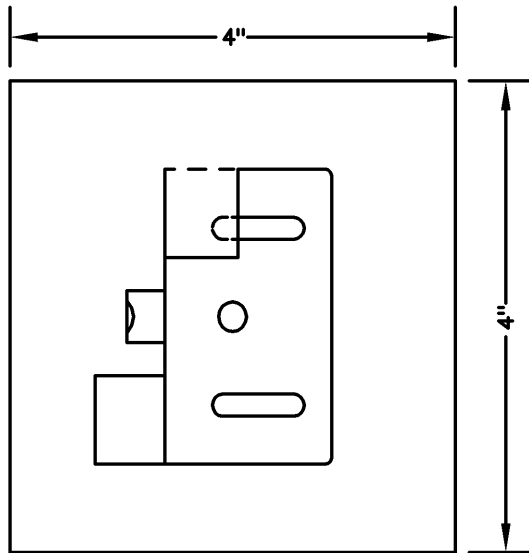


CAP-SEAM

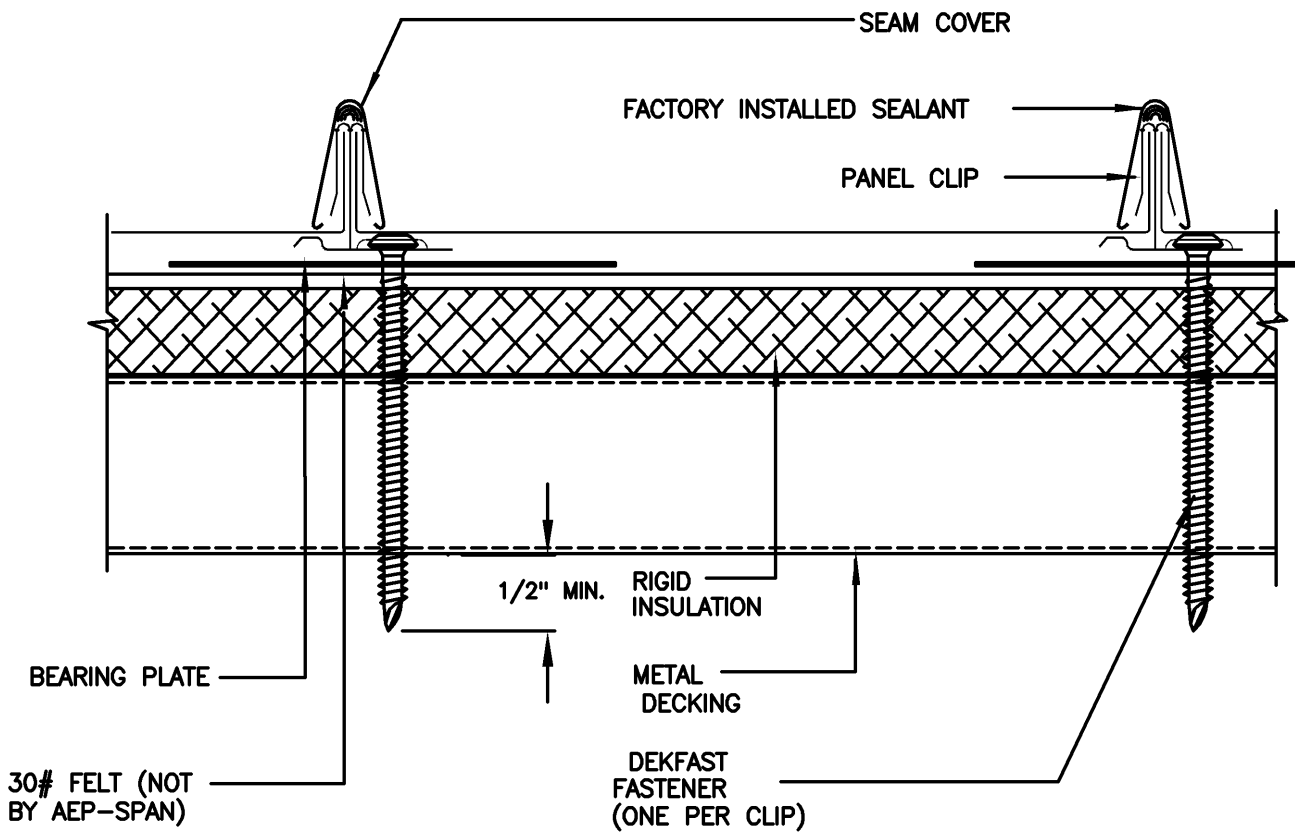


CAP SEAM CLIP

CS-1



PLAN OF CAP SEAM CLIP  
W/BEARING PLATE



CAP-SEAM



CAP SEAM CLIP  
W/BEARING PLATE

CS-2

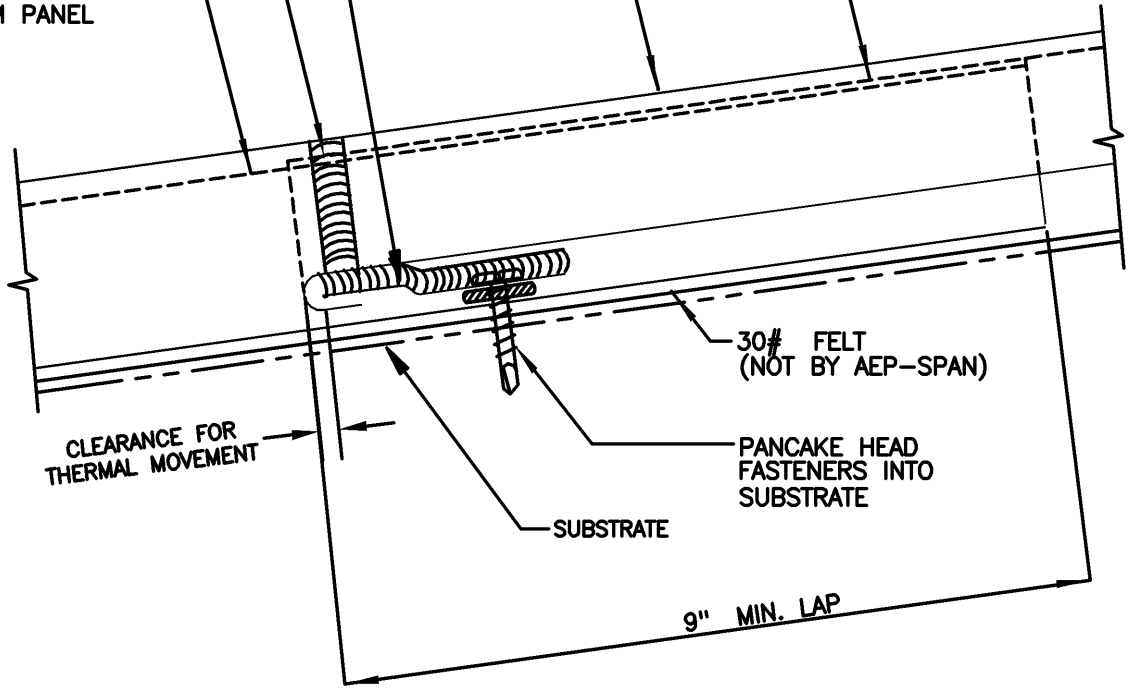
UPHILL CAP-SEAM PANEL

SEAM COVER CONTINUOUS  
THRU PANEL JOINT

JOGGLE CLEAT BETWEEN RIBS  
WITH BUTYL SEALANT AT ENDS

3/8" BEAD OF NON-SKINNING  
BUTYL SEALANT

DOWNHILL  
CAP-SEAM PANEL

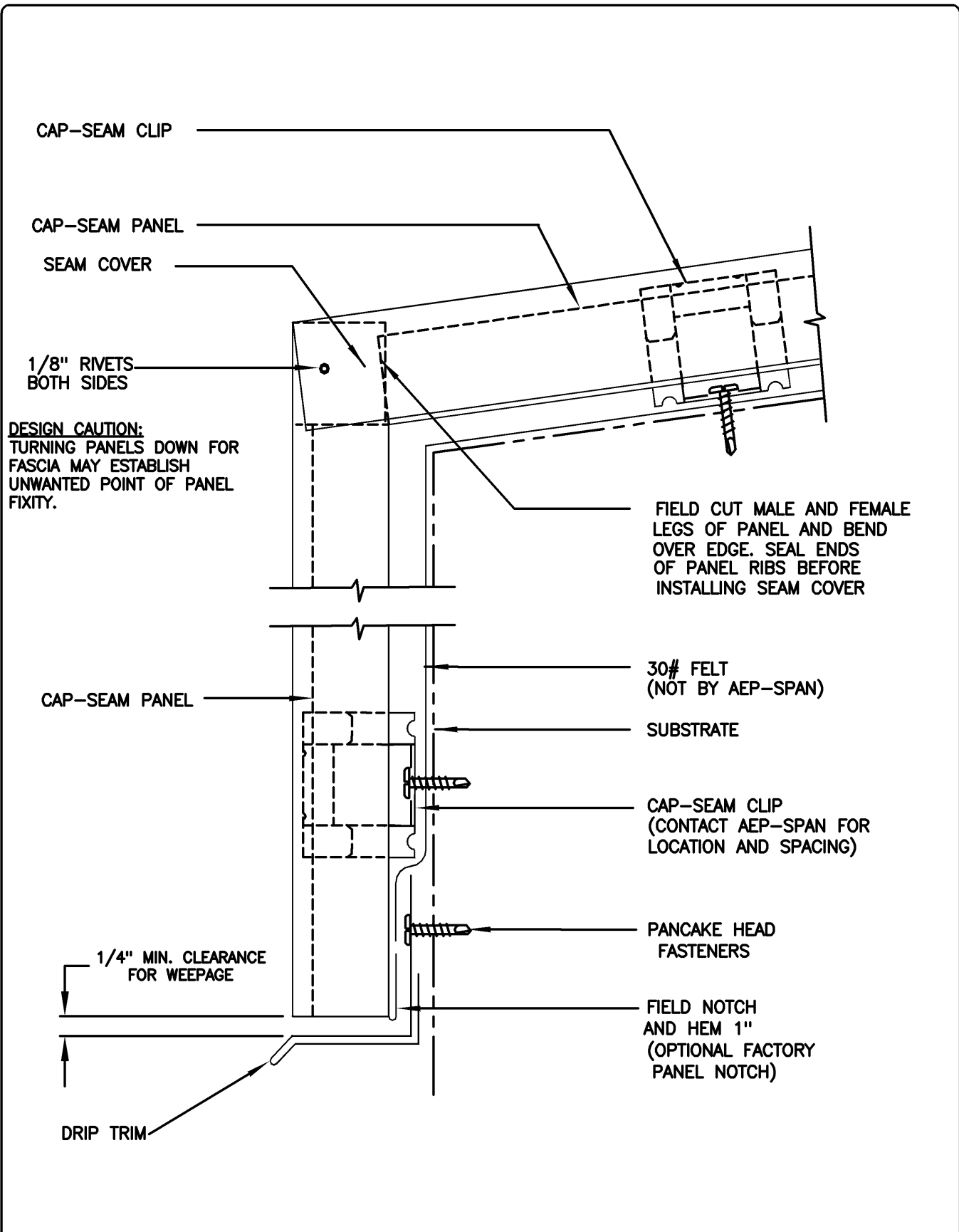


CAP-SEAM



PANEL LAP

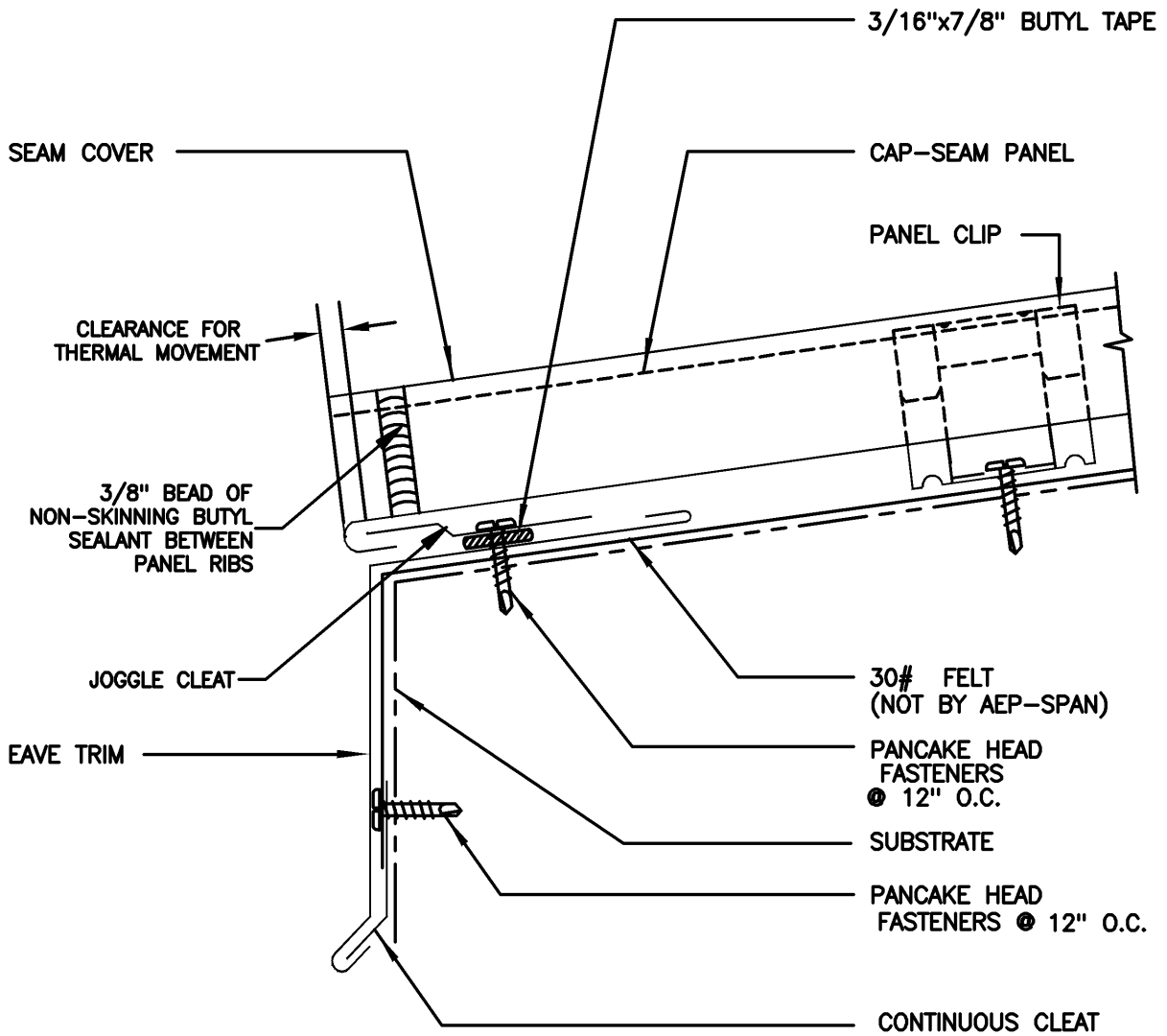
CS-3



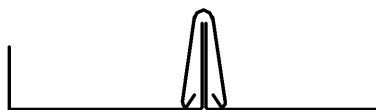
CAP-SEAM



PANEL/SEAM COVER TRANSITION

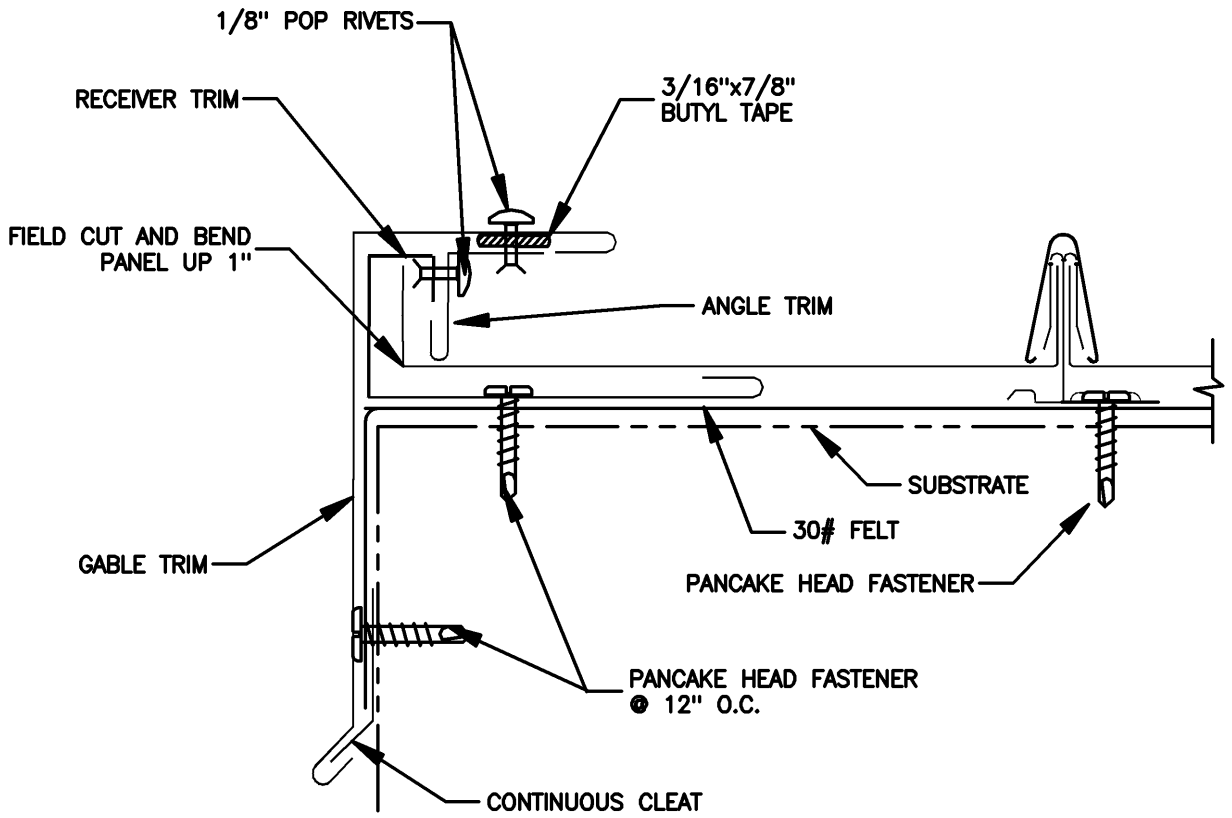


CAP-SEAM

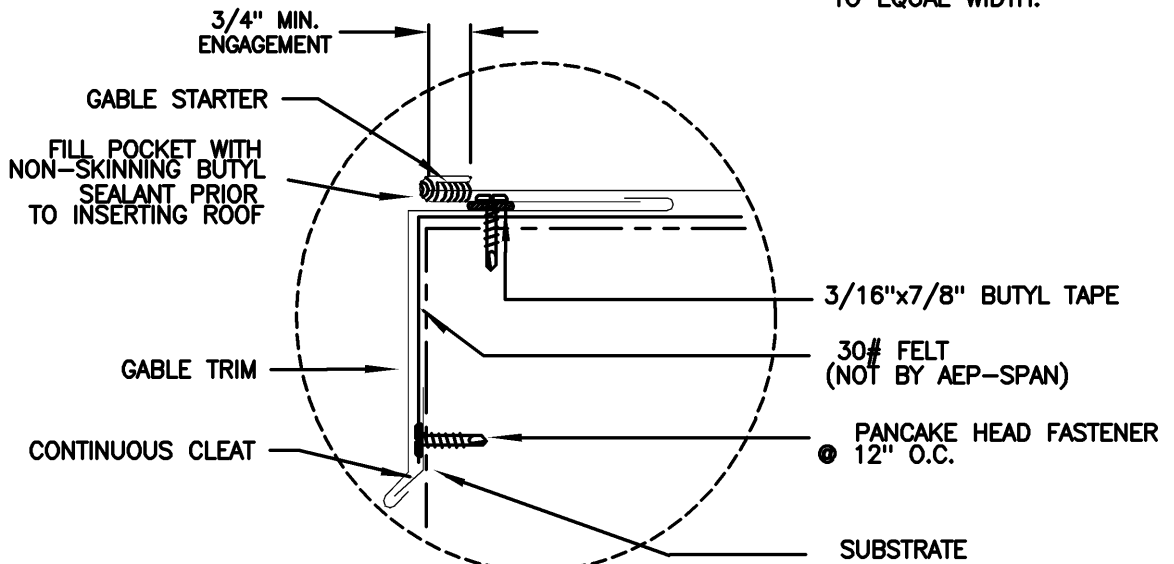


EAVE

CS-5



**NOTE:**  
FIELD CUT FIRST  
AND LAST PANELS  
TO EQUAL WIDTH.



ALTERNATE DETAIL

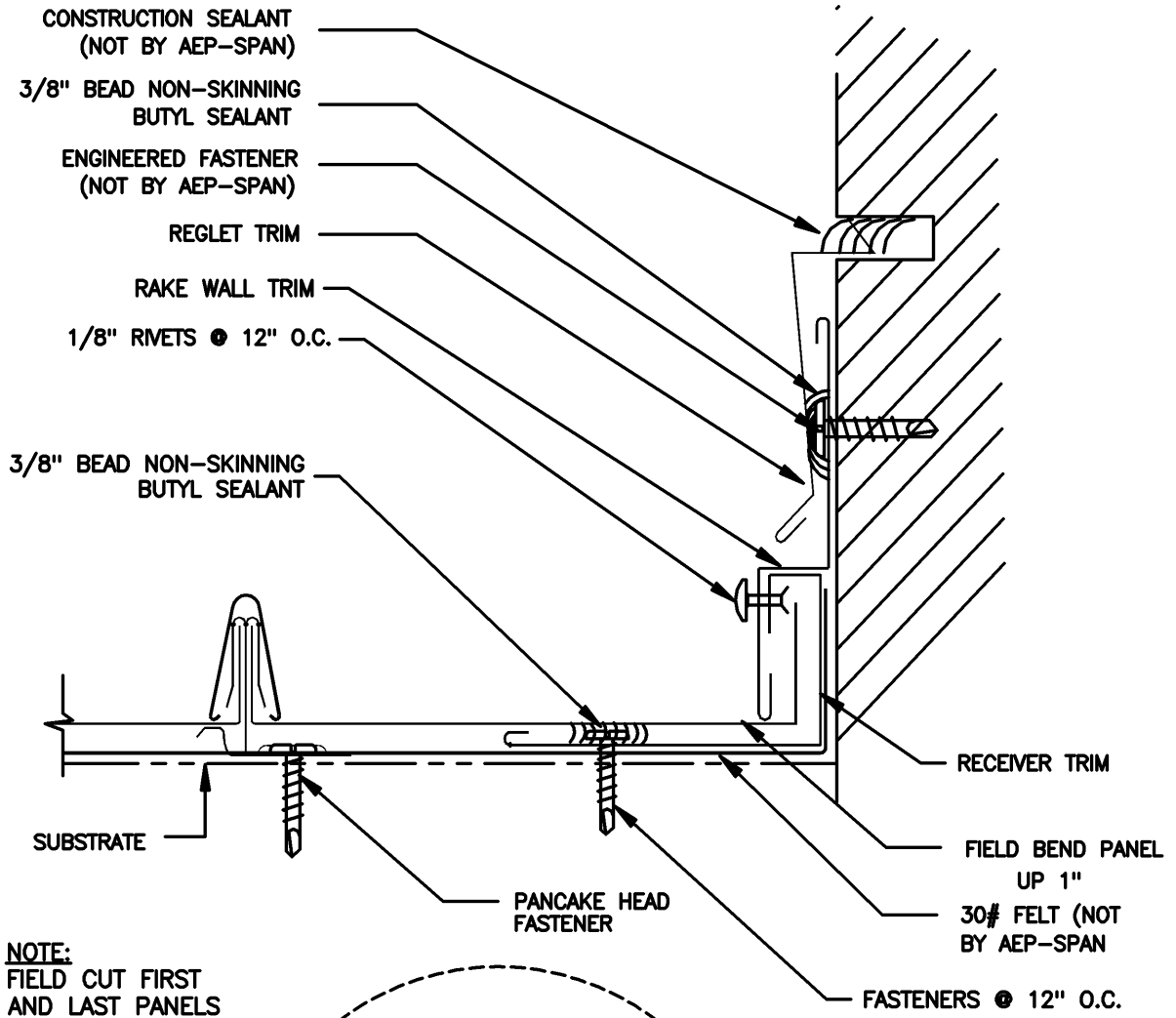


CAP-SEAM

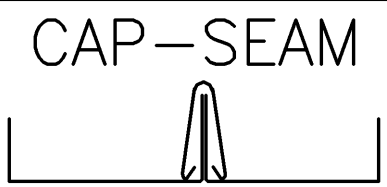
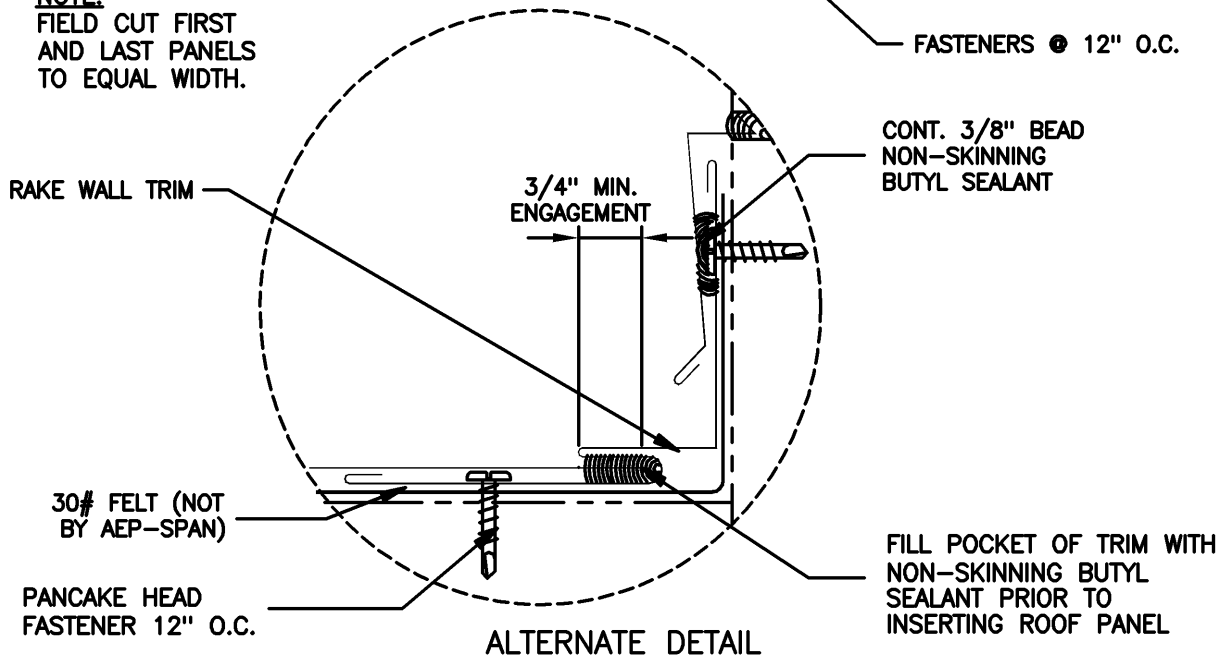


GABLE

CS-6

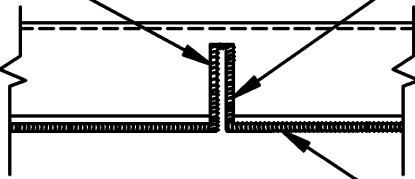


**NOTE:**  
FIELD CUT FIRST  
AND LAST PANELS  
TO EQUAL WIDTH.



NON-SKINNING BUTYL SEALANT AROUND NOTCH FOR PANEL RIB

FIELD NOTCH ZEE CLOSURE AROUND RIB



SECTION "X-X"

3/16"x7/8" CONT. BUTYL TAPE

CONSTRUCTION SEALANT (NOT BY AEP-SPAN)

REGLET TRIM

NON-SKINNING BUTYL SEALANT

HEAD WALL TRIM

ZEE CLOSURE TRIM

1/8" RIVETS @ 12" O.C.

SEAM COVER STOPS AT ZEE

CAP-SEAM PANEL

SUBSTRATE

3/16"x7/8" CONTINUOUS BUTYL TAPE

ENGINEERED FASTENER (NOT BY AEP-SPAN)

NON-SKINNING BUTYL SEALANT AT ENDS, FILL ALL GAPS

30# FELT (NOT BY AEP-SPAN)

EQUALLY SPACED PANCAKE FASTENERS (2) FOR & 12" (4) FOR & 20" WIDE PANELS



CAP-SEAM

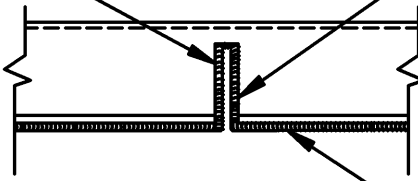


HEAD WALL

CS-8

NON-SKINNING BUTYL SEALANT AROUND NOTCH FOR PANEL RIB

FIELD NOTCH ZEE CLOSURE AROUND RIB



SECTION "X-X"

3/16"x7/8" CONT. BUTYL TAPE

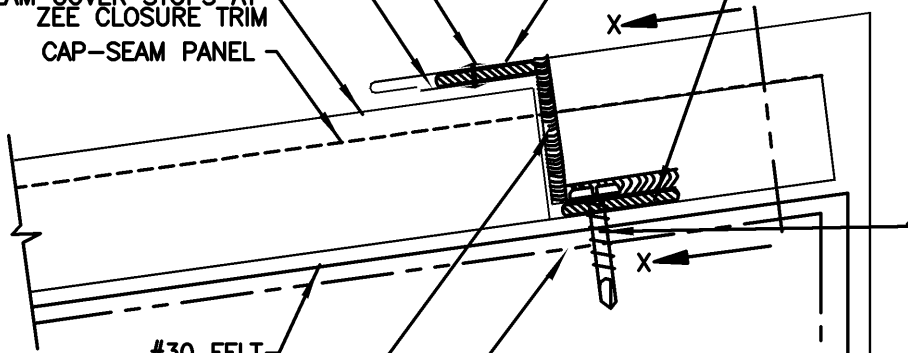
1/8" RIVET @ 12" O.G.

3/16"x7/8" CONTINUOUS BUTYL TAPE

ZEE CLOSURE TRIM

3/16"x7/8" BUTYL TAPE

SEAM COVER STOPS AT ZEE CLOSURE TRIM  
CAP-SEAM PANEL



EQUALLY SPACED PANCAKE HEAD FASTENERS  
(2) FOR 12" &  
(4) FOR 20" WIDE PANELS

#30 FELT (NOT BY AEP-SPAN)

HIGH EAVE TRIM

NON-SKINNING BUTYL SEALANT AT ENDS, FILL ALL GAPS

SUBSTRATE

PANCAKE HEAD FASTENER @ 12" O.C.

CONTINUOUS CLEAT



CAP-SEAM

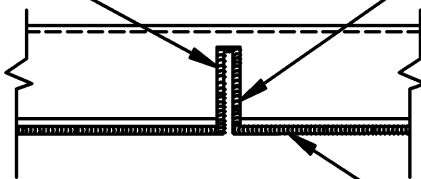


HIGH EAVE

CS-9

NON-SKINNING BUTYL SEALANT AROUND NOTCH FOR PANEL RIB

FIELD NOTCH ZEE CLOSURE AROUND RIB



SECTION "X-X"

3/16"x7/8" CONT. BUTYL TAPE

1/8" RIVET  
@ 12" O.C.

3/16"x7/8" CONTINUOUS BUTYL TAPE

NON-SKINNING BUTYL SEALANT AT ENDS, FILL ALL GAPS

ZEE CLOSURE  
CAP-SEAM PANEL

SEAM COVER STOPS AT ZEE CLOSURE TRIM

RIDGE CAP

30# FELT  
(NOT BY AEP-SPAN)

SUBSTRATE

PANCAKE HEAD FASTENERS  
(2) EQUALLY SPACED FOR 12" WIDE PANELS  
(4) EQUALLY SPACED FOR 20" WIDE PANELS



CAP-SEAM

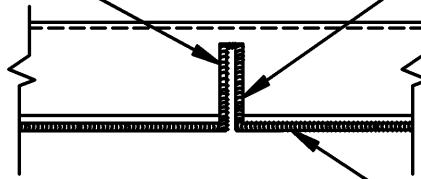


RIDGE

CS-10

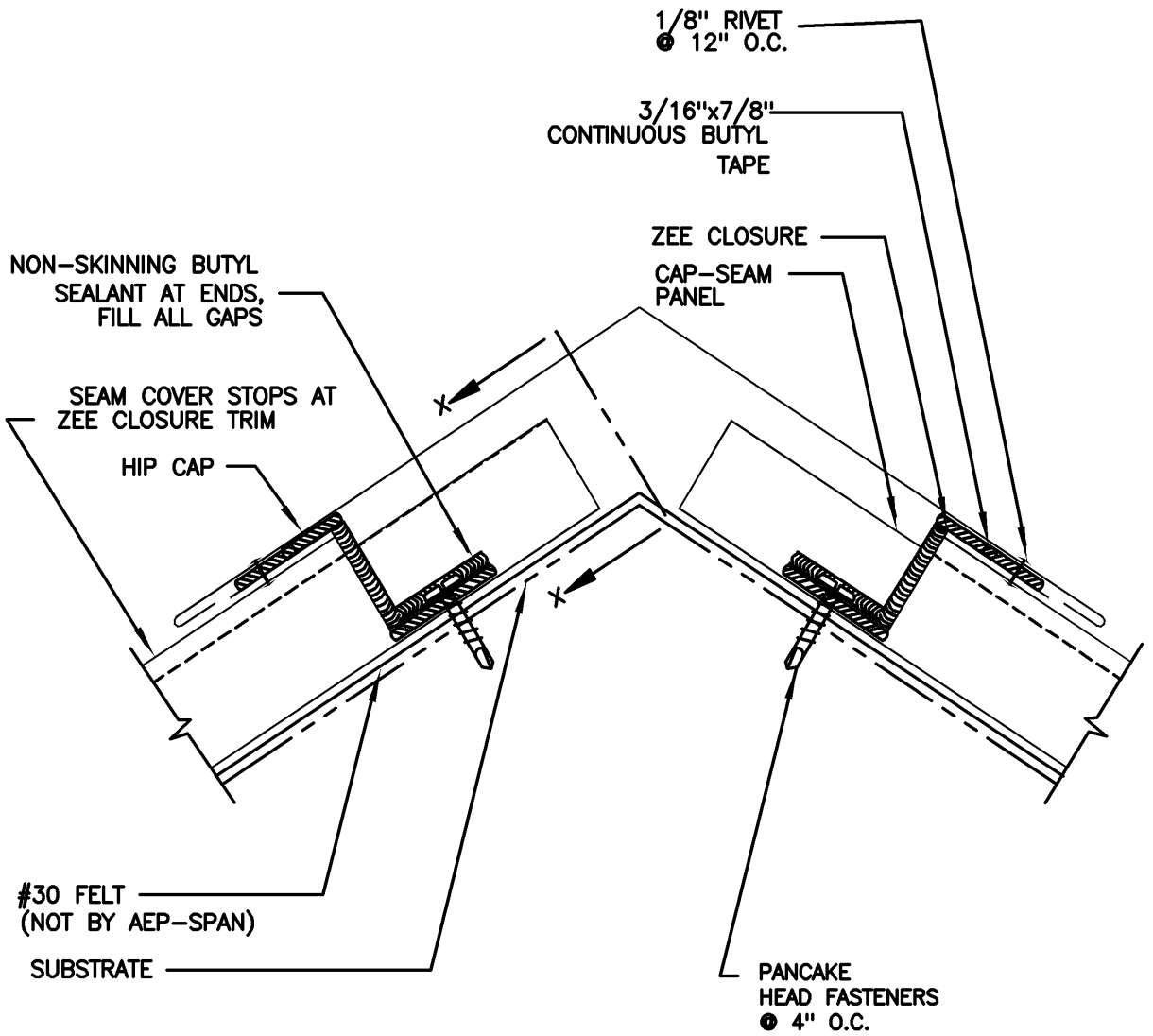
NON-SKINNING BUTYL SEALANT AROUND NOTCH FOR PANEL RIB

FIELD NOTCH ZEE CLOSURE AROUND RIB



SECTION "X-X"

3/16"x7/8" CONT. BUTYL TAPE

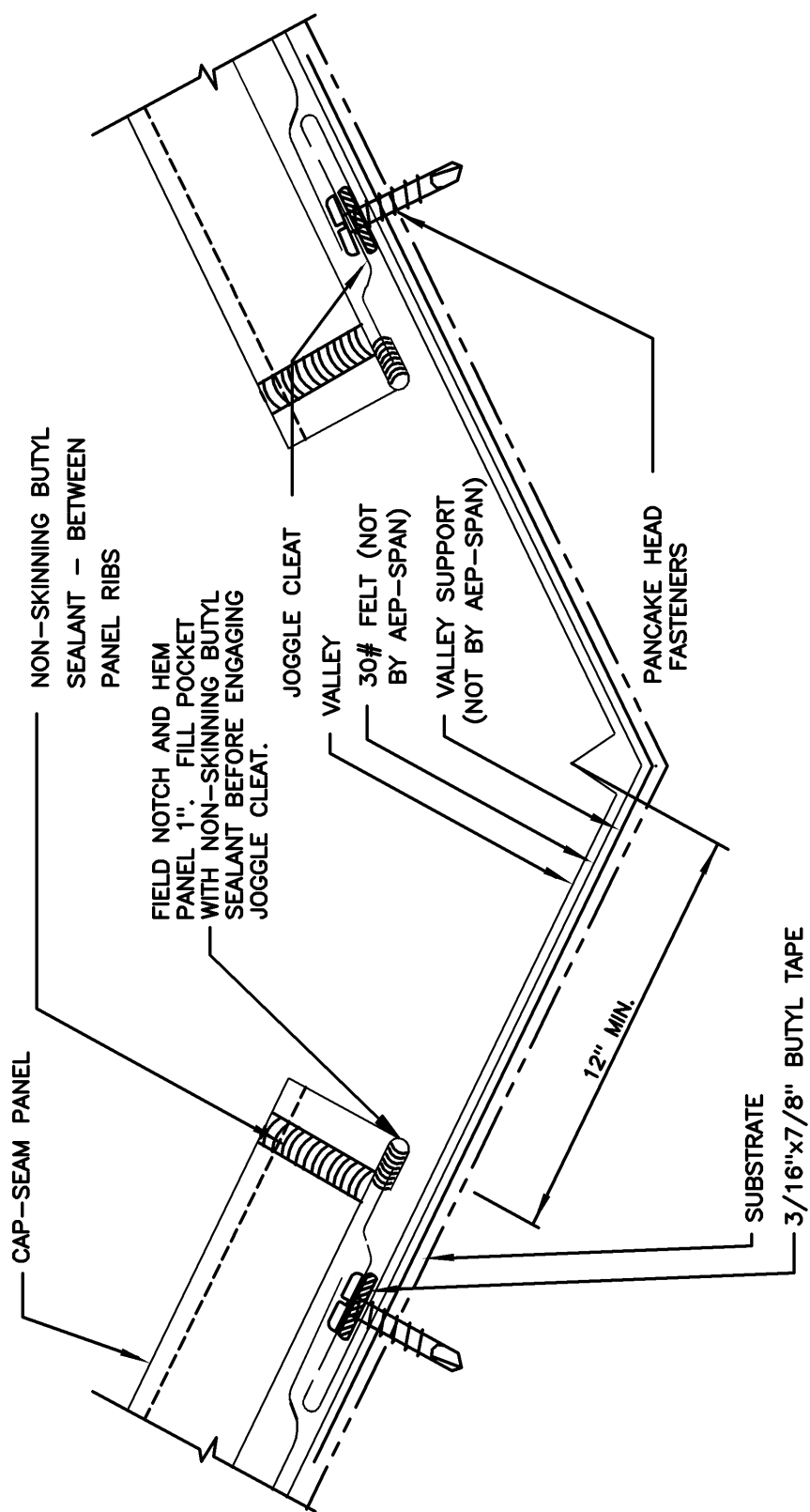


CAP-SEAM

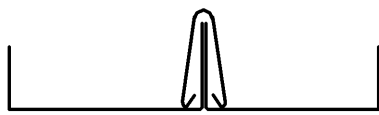


HIP

CS-11



CAP-SEAM



VALLEY

CS-12