

# Select Seam®

Featuring

**Zincalume® For Twice the Life!**

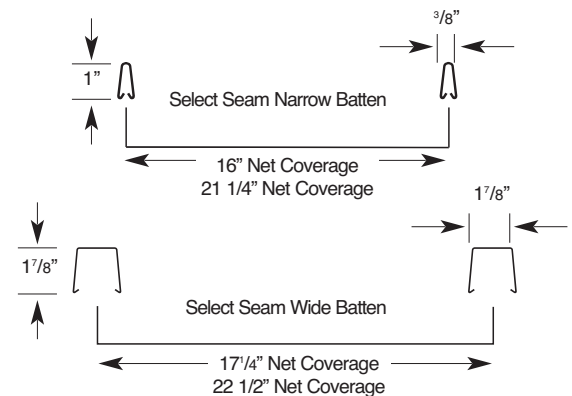
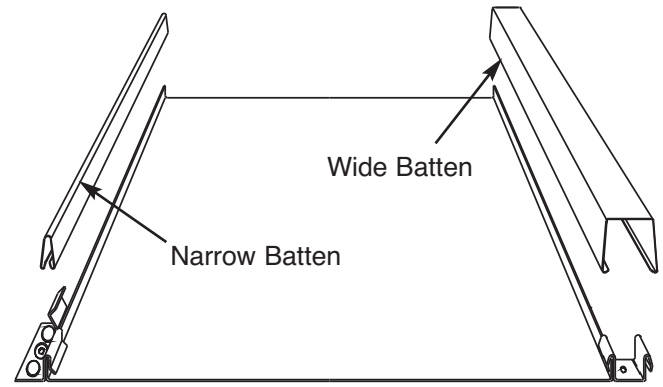
Zincalume combines the strength of steel with the corrosion resistance of aluminum for twice the life of most zinc coatings.

Select Seam is a performance-rated, non-structural, batten seam metal roof system. It's clean wide pan appearance makes it ideal for a classic architectural effect.

## features | benefits

- Available in narrow batten and wide batten in the following net coverages:
 

Narrow Batten:	16" coverage
	21 1/4" coverage
Wide Batten:	17 1/4" coverage
	22 1/2" coverage
- UL580-Class 90 wind uplift rated.
- Narrow Batten tested for air infiltration per ASTM E1680 and water infiltration per ASTM E1646 with factory applied sealant.
- Optional factory applied sealant saves time in the field and assures weathertightness.
- 24 gauge Zincalume® coated steel clips. Stainless steel clips are used with copper panels.
- Narrow batten panels can be field curved for radius applications (see reverse side).



- Offered with subtle longitudinal striations between ribs.
- Preformed flashings and matching flat sheet available.
- Offered in a range of finishes including:
  - 24 gauge Zincalume® with the DuraTech™5000 (polyvinylidene flouride) coating system.
  - Unpainted Zincalume® Plus.
  - Real 16 oz. copper.
  - ZACTique® II treatment.
- Available tapered for special architectural applications.
- Ideal for both new and retrofit roof applications.
- Flashing details and CSI guide specification available.

	Weight, lbs/Sq. ft.	
	24 ga.	22 ga.
16" Coverage	1.17	1.46
21 1/4" Coverage	1.11	1.39
17 1/2" Coverage	1.24	1.56
22 1/2" Coverage	1.17	1.49

[www.aepspan.com](http://www.aepspan.com)



Tacoma, WA	800-733-4955,	253-383-4955	FAX 253-272-0791
Fontana, CA	800-272-2466,	909-823-0401	FAX 909-823-2625
Dallas, TX	800-527-2503,	214-827-1740	FAX 214-828-1394
Kernersville, NC	800-527-2503,	214-827-1740	FAX 214-828-1394