

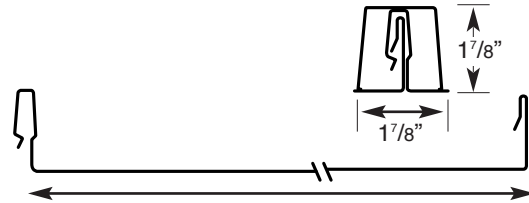
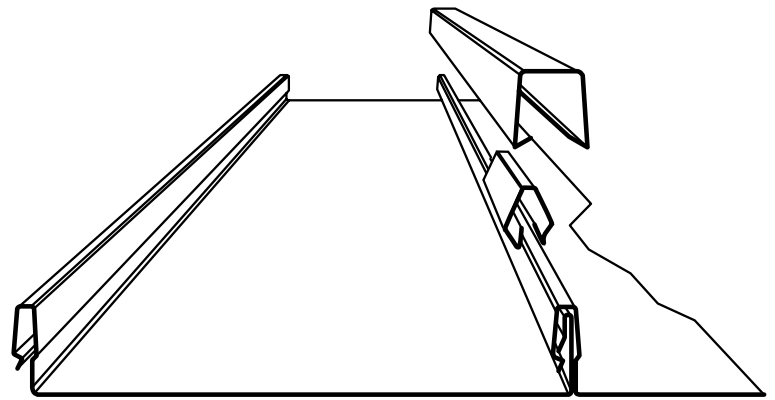
Design Span® Batten

Featuring

Zincalume® For Twice the Life!

Zincalume combines the strength of steel with the corrosion resistance of aluminum for twice the life of most zinc coatings.

Design Span® Batten is a high performance structural standing seam metal roof system with net coverage of 12" up to 24". Design Span Batten is excellent as a roof over metal or wood decking, and as a fascia or mansard over plywood or spaced supports.



17" and 12" coverage standard, 18" and 24" widths are available as non-standard offers

features | benefits

- Tested in accordance with UL580 and ASTM E1592.
- Meets UL90 wind uplift requirements for 12", 17" and 18" wide panels.
- Can be installed over solid substrates or spaced support members at spans to 4'-0".
- Has the clean, wide pan look of batten panels, but with structural capability as well as resistance to air and water infiltration.
- Striations are standard to support a clean pan look.
- Factory applied hot-melt foam sealant in the standing seam is standard.
- Has been tested for air infiltration per ASTM E1680, and water infiltration per ASTM E1646.
- Correctively leveled to minimize waviness.
- Snap together panel, no field seaming required.
- Available in a variety of DuraTech™5000 (polyvinylidene flouride) low specular gloss colors, unpainted Zincalume® Plus and ZACTique®II treatment.
- Matching flat sheet available.
- Also available in custom colors, metallics and real copper.

Design Span® Batten Section Properties					
Design Span® Batten -12					
Gauge	Wt. (lbs./ft. ²)	S+ (in. ³ /ft.)	I+ (in. ⁴ /ft.)	S- (in. ³ /ft.)	I- (in. ⁴ /ft.)
24	1.39	0.0822	0.1178	0.0648	0.0595
22	1.78	0.1046	0.1502	0.0932	0.0834
Design Span® Batten-17 and 18"					
Gauge	Wt. (lbs./ft. ²)	S+ (in. ³ /ft.)	I+ (in. ⁴ /ft.)	S- (in. ³ /ft.)	I- (in. ⁴ /ft.)
24	1.24	0.0566	0.0859	0.0434	0.0399
22	1.58	0.0721	0.1096	0.0625	0.0559
Design Span® Batten-24"					
Gauge	Wt. (lbs./ft. ²)	S+ (in. ³ /ft.)	I+ (in. ⁴ /ft.)	S- (in. ³ /ft.)	I- (in. ⁴ /ft.)
24	1.17	0.045	0.0678	0.0326	0.03
22	1.49	0.0552	0.0866	0.047	0.0421

www.aepspan.com



Tacoma, WA 800-733-4955, 253-383-4955 FAX 253-272-0791
 Fontana, CA 800-272-2466, 909-823-0401 FAX 909-823-2625
 Dallas, TX 800-527-2503, 214-827-1740 FAX 214-828-1394
 Kernersville, NC 800-527-2503, 214-827-1740 FAX 214-828-1394